

## ST350

### Description

Model ST 350 is a low cost angle sensor developed for very precise measurements in the field of civil engineering, construction machineries, and industrial automation. The sensor relies on a new patented Hall technology. Its use is particularly recommended in high frequency applications, operating on small angles. ST350 is highly resistant and stable in temperature and features a rugged and small plastic enclosure. Very easy and precise mounting can be achieved using the built-in flange. Typical applications are dancer arm tensioning, labelling machines, robots, fork lifters, throttle position and position detection of flaps.

ST-350



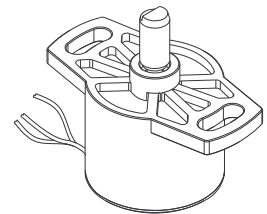
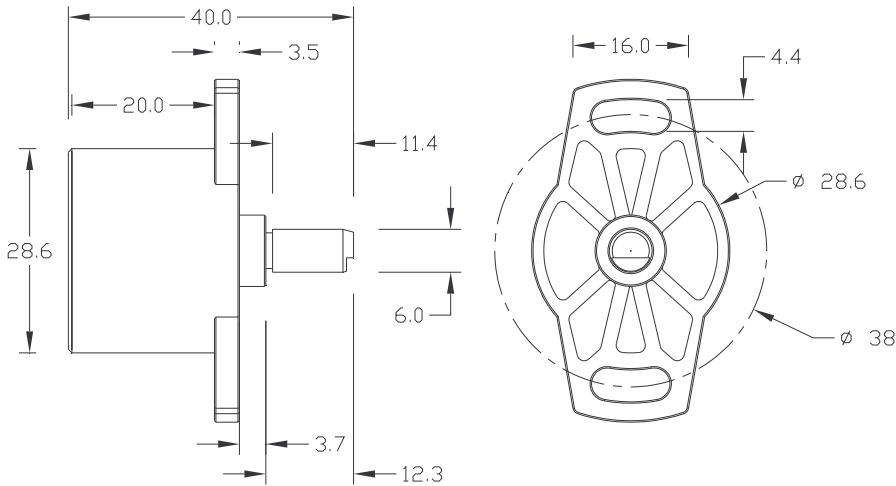
### Features

- High grade plastic enclosure;
- Angle Range: up to 360 programmable;
- Input Voltage: 5VDC  $\pm$  0.5VDC (24 to 30 VDC available);
- Output: 0.5 V – 4.5 V Ratiometric (input voltage 5 V);  
0-10 V (input voltage 24 V); 4-20 mA optional;
- Operating Temperature: -20 °C +80 °C;
- No wipers;
- High life time;
- Vibration resistance (DIN IEC 68T2/6 20g);
- High sensibility and repeatability;
- Hall Effect Sensor;
- IP54 protection (IP65 optional);
- Weight 50 g.

### Technical specifications

Measuring range (selectable)	°	up 360 (programmable)
Mechanical angle	°	360 continuous
Input voltage	V	5 $\pm$ 0.5V 24 to 30
Output	-	0.5 – 4.5V 0 - 10 V 4 to 20 mA
Current consumption	mA	20
Linearity	% F.S.	0.5 %
Operating temperature range	°C	-40° + 85°
Stocking Temperature	°C	-40° + 80°
Max permitted tensile shaft loading	Kg	4,5
Max permitted radial shaft loading	Kg	2,5
Torque	Ncm	0.05 0.5 (IP 67 protection)
Vibration resistance	MIL STD 202 E 204 C	20 (10 to 2000Hz)
Shock resistance	MIL STD 202 E 213 B	50 G

## Dimensions and mounting



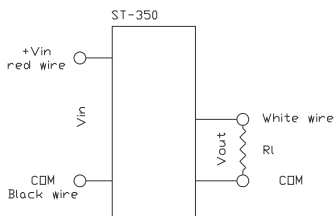
Mounting:

Flange mounting

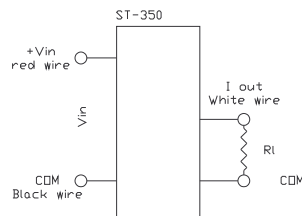
Rotation:

CCW increases rotation angle  
CW decreases rotation angle

## Connections



Voltage output, PWM output



Current output

## Ordering informations

Ordering Information	
ST 350 - HX - XXX - X - X - X	
	Operating Voltage 1: standard 5VDC 2: optional 24-30 VDC
	Angular range 0-360 (step 10°)
	Output: 1: 0.5 4.5 V 2: 0-10 V 3: 4-20 mA
	1: positive gradient CW 2: positive gradient CCW (optional)
	X: IP65 sensor protection