



Inclinometer MEMS with relay – Model **DPS-X-HP-X-X-X**

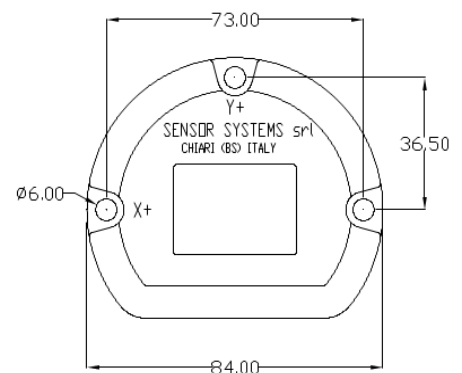
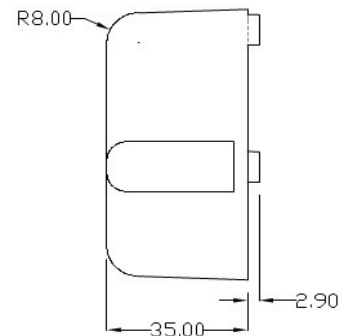
DPS-K series inclinometer is available with two measurement axis. The inclinometer working principle is based on a micro machined silicon capacitive transducer (developed with MEMS technology). The plastic housing is made in high grade PBT. Typical application are cranes, aerial platforms, drilling machines, excavators, robotics and mobile equipment. DPS-K-OP features a single relay output. Relay switching points are factory set and can be changed by the customer using RS232 connection. Device manual with RS232 commands is available.

FEATURES:

<ul style="list-style-type: none"> ⌚ Inclinometer sensor one or two axis; ⌚ MEMS sensing unit; ⌚ Angle rang $\pm 0,5^\circ$ a $\pm 60^\circ$; ⌚ Output: to 1 a 5 relay or transistor (PNP o NPN); ⌚ Led bi colour, indicator status; ⌚ Function zero, to positive or negative; ⌚ Functions trigger threshold, hysteresis, response time, filtering, etc.; 	<ul style="list-style-type: none"> ⌚ No moving parts; ⌚ High grade plastic enclosure; ⌚ Inputs and outputs protected from short circuit; ⌚ Electronics protected by resin; ⌚ Cable exit with cable gland for relay connection L 300 mm ; ⌚ UNI-EN 13849; ⌚ MTTF = 5,7 E+05 ore (65,1 hears) ⌚ Configurable by RS232 with simple commands, from any terminals; ⌚ Version enviable with additional output for axis;
--	--

TECHNICAL SPECIFICATION:	Output relay	Output transistors	
		NPN	PNP
Power Supply	8 ÷ 30 Vdc	8 ÷ 30 Vdc	
Pick voltage (max)	40 Vdc	40 Vdc	
Output Current (max)	1A 125VAC/30VDC *	0,3 A	1A
Current	20 mA, 60mA with relay ON	20 mA	20 mA
Voltage output	Relay	Vdc-1,1 a 0,3 A	0,1 a 1A
Output Power (max)	0,45W	0,4W	1,5W
Zero Setting range	Max 10 °		
Resolution	0,1 °		
Linearity error	Max 1% FS		
Temperature range	from -25° to+ 75°	from - 40° to + 85°	
Zero drift	$\pm 0,005^\circ / ^\circ\text{C}$		
FS drift	$\pm 0,002^\circ / ^\circ\text{C}$		
Weight	300 g		
Enclosure	PBT glass fiber reinforced		
Environmental Protection	IP67		

* Available version from 3A and 5A relay



DPS-X-HP-X-X-X

