



SDS 3A

Industrial Low Cost Cable Extension Transducer

Precision Potentiometric Output (Voltage Divider)available from 0 to 1800 mm , 0-2300 mm, 0-3300 mm ,measurement Range Option, Designed for Outdoor/Wet environments.

Description

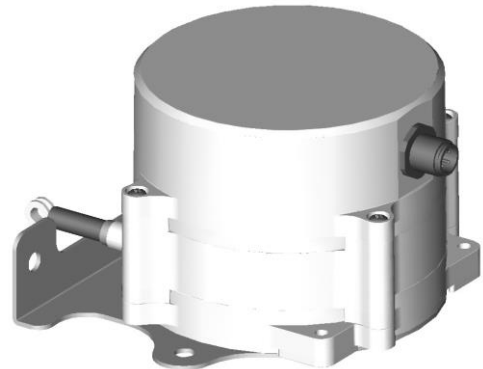
Model STS 3A is a rugged, low cost ,plastic high performance cable extension transducer built for wet environments and outdoor applications. Originally designed for off-road construction equipment. The plastic body design is ideal for high volum OEM applications where quality and cost is a major consideration . The output is voltage from a potentiometric voltage divider circuit .

The SDS 3A is available in three different measurement range from 0-1800 mm , 0-2300 mm , 0-3300 mm stroke ranges. The SDS 3A is constructed of a special plastic enclosure designed to withstand impact from harsh environments and rugged conditions. Bracket, mating connector and optional cordsets are available upon request.

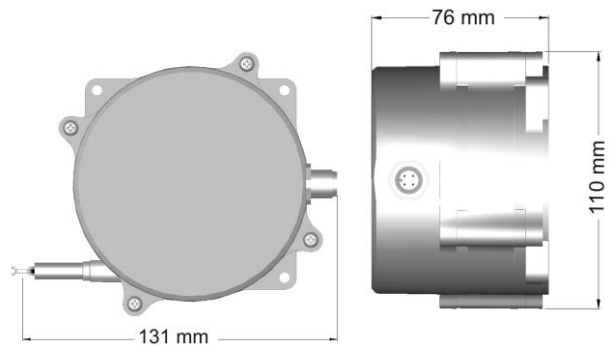
The SDS3A is also available in redundant output , twin potentiometer .

Technical Specifications

Sensor	plastic-hybrid precision potentiometer
Input Resistance	10K ohms
Maximum Input Voltage	30 volts AC/DC
Resolution	essentially infinite
Repeatability	+/- 0.1% FS.
Measuring Cable	0,86 mm dia nylon coated stainless
Maximum Acceleration	10G (retraction)
Maximum Velocity	2 meters per second
Electrical Connection	M12 Connector
Measuring Cable Tension	(6.4 N) +/- 30%
Cycle Life	250.000 (potentiometer and spring)
Maximum Acceleration	10G (retraction)
Weight	2,5 lbs.(1,3kg)



Measurement Range SDS3A-15	0-71 in. (0-1800mm)
Measurement Range SDS3A-20	0-90 in. (0-2300mm)
Measurement Range SDS3A-30	0-130 in.(0-3300mm)
Accuracy	+/- 0.5% FS
Environmental Suitability	NEMA 6,IP67
Operating Temperature	-40° to 185° F (-40 to 85° C)



Ordering Information

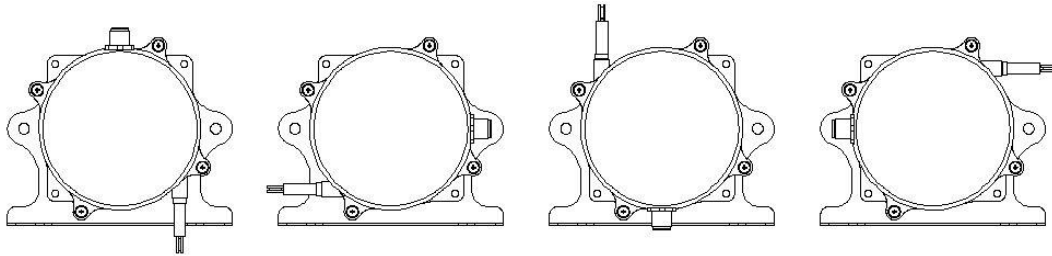
SDS3A-15 Measurement Range 0-1800 mm
SDS3A-20 Measurement Range 0-2300 mm
SDS3A-30 Measurement Range 0-3300 mm

Redundant : Twin potentiometers

SDS3AR-15 Measurement Range 0-1800 mm
SDS3AR-20 Measurement Range 0-2300 mm
SDS3AR-30 Measurement Range 0-3300 mm



Cable Exit Direction Options



Pos 1

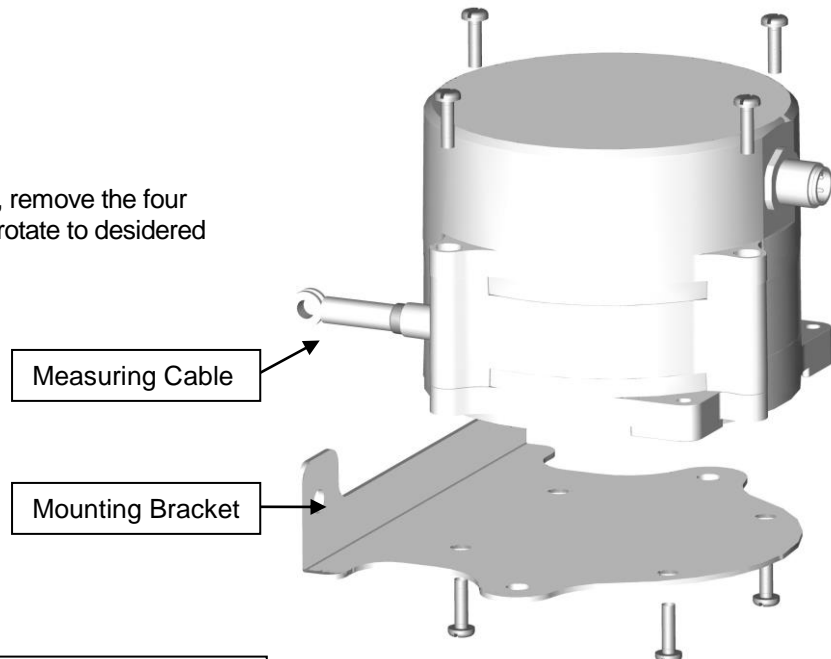
Pos2

Pos3

Pos4

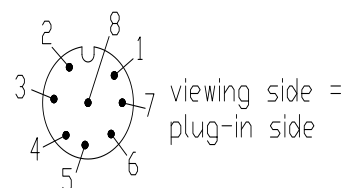
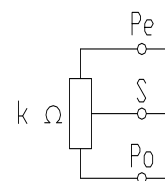
Changing the Cable Exit

To change measuring cable exit direction, remove the four screws that attach mounting bracket and rotate to desired position.

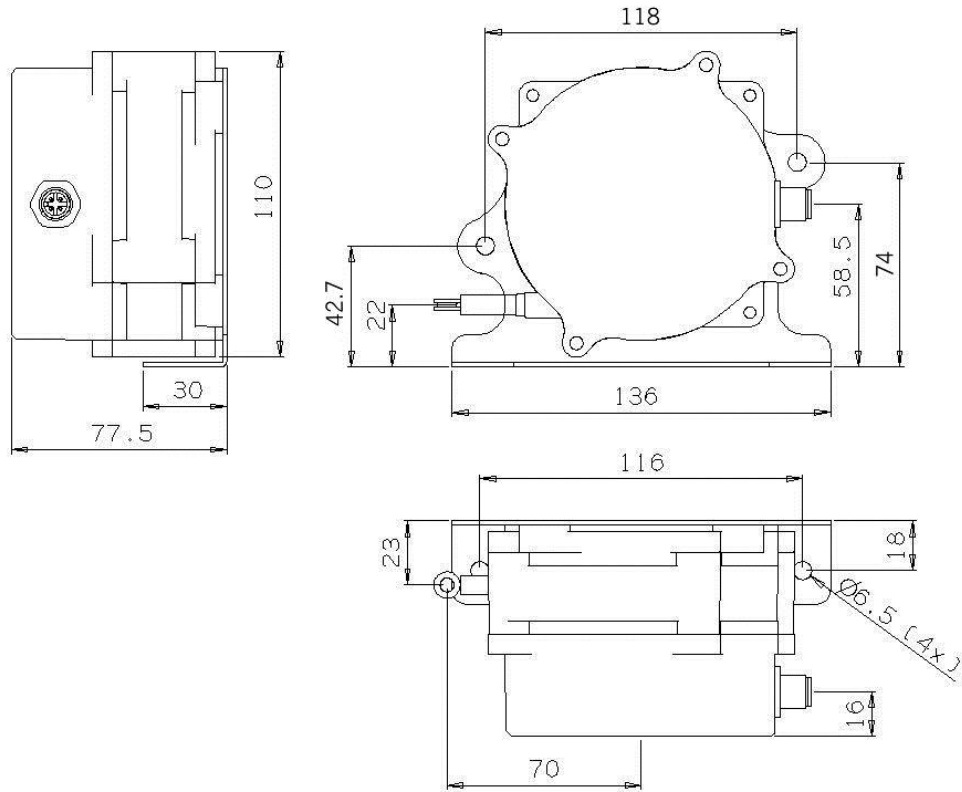


Pin Connection

Pin	Signal potentiometer 1	Signal potentiometer 2
1	Po	---
2	---	Po
3	---	s
4	---	Pe
5	---	---
6	Pe	---
7	S	---
8	---	---



Mounting with bracket



Mounting without bracket

